

# Advance Universal Logic Gate Kit

## Package Includes:

## Branding Free Activity kit

- No Brand Name/Logo/Watermark on Components, PCB & Projects
- Tested Activity kits

## Documentation

- Free Project Synopsis – **Embedded below**
- Printed instruction booklet

## Support

- Working Video – **Embedded Below**
- Technical Support – WhatsApp@9109087333
- Get Discount Coupon - WhatsApp@9303254433

[Read More](#)

**SKU:** PH\_SPE\_158

**Price:** ₹400.00 Original price was: ₹400.00. ~~₹360.00~~  
Current price is: ₹360.00.

**Stock:** instock

**Categories:** [Electronics](#), [Logic Gate](#), [Physics](#), [Projects](#), [School Project & Experiment](#)

**Tags:** [class 12th science project and experiment](#), [logic gate](#), [new science project](#)

## Product Description

## Download Free Project Synopsis

### Disclaimer

This is a handmade complete working Models, Projects & Activity kits supported by rough study material to make a suitable projects report by the student. It is using Cardboard/Wooden base, Paper, Foam based board, stationary items, Electronic-Electrical Components, Mechanical & Scientific goods as per the requirement of a particular model. Colour of product and decoration item may be varying according to availability of material but we make ensure that we will deliver the product with same working, structure and dimensions as describe in product description section.

---



## All Logic Gate Experiment

### Kit Includes:

- Project Kit
- 9V Battery
- Print Short R

### Available offers:

- Free Shipping on orders above ₹
- Pay with UPI for 10% Discount./[Coupon](#)
- Special Bulk Discounts for Companies and
- Get Special Discount on WhatsApp@91

### Highlights Brand

- No Brand Name PCB & Projects
- 100% Working

- Tested Project & Activity kits

### Documentation

- Printed Short Report
- Printable Soft copy of Project Report

### Support

- Demo Video – **Embedded below**
- Technical Support – WhatsApp@9109087333
- [Get Discount Coupon](#)

[Read More](#)

**SKU:** PH\_SPE\_01

**Price:** ~~₹384.00~~ Original price was: ₹384.00. ₹227.00  
Current price is: ₹227.00.

**Stock:** instock

**Categories:** [Electronics](#), [Logic Gate](#), [Physics](#), [Projects](#), [School Project & Experiment](#)

**Tags:** [class 12th science project and experiment](#), [logic gate](#), [new science project](#)

## Product Description

### About Project:

"Unleash the power of logic with our All Logic Gate Experiment Kit – the ultimate companion for school science exhibitions and physics experiments! Designed to ignite curiosity and foster a deep understanding of logic circuits, this comprehensive kit equips students with hands-on experience in building and experimenting with various logic gates. From AND and OR gates to NOR and NAND gates, this kit covers it all, making it an ideal choice for budding scientists and future engineers. Boost your school's science exhibition with a captivating showcase of intricate logic circuits and inspire a new generation of problem solvers. Get ready to witness the excitement of discovery and innovation with the All Logic Gate Experiment Kit – where learning meets experimentation!"

---

### What are Logic Gates ?

A gate is defined as a digital circuit which follows some logical relationship between the input and output voltages. It is a digital circuit which either allows a signal to pass through as stop, it is called a gate. The **Logic Gates are building blocks at digital electronics**. They are used in digital electronics to change on voltage level (input voltage) into another (output voltage) according to some logical statement relating them. A logic gate may have one or more inputs, but it has only one output. The relationship between the possible values of input and output voltage is expressed in the form of a table called truth table or table of combinations. **Truth table** of a **Logic Gates** is a table that shows all the input and output possibilities for the logic gate. These are important digital devices that are mainly based on the Boolean function. Logic gates are used to carry out logical operations on single or multiple binary inputs and give one binary output. In simple terms, logic gates are the electronic circuits in a digital system.

### **Application of Logic Gates**

Logic gates have a lot of applications, but they are mainly based upon their mode of operations or their truth table. Basic logic gates are often found in circuits such as safety thermostats, push-button locks, automatic watering systems, light-activated burglar alarms and many other electronic devices. One of the primary benefits is that basic logic gates can be used in various combinations if the operations are advanced. Besides, there is no limit to the number of gates that can be used in a single device. However, it can be restricted due to the given physical space in the device. In digital integrated circuits (ICs), we will find an array of the logic gate area unit.

---

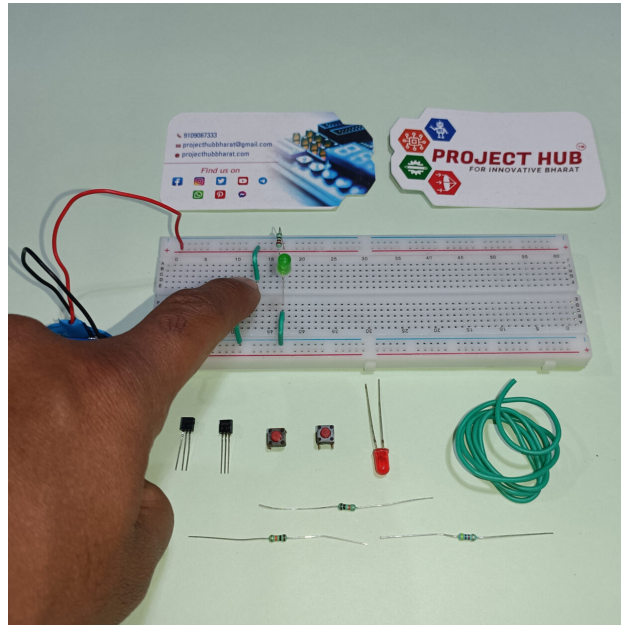
### **Working Video:**

---

### **Disclaimer**

This is a handmade complete working Models, Projects & Activity kits supported by rough study material to make a suitable projects report by the student. It is using Cardboard/Wooden base, Paper, Foam based board, stationary items, Electronic-Electrical Components, Mechanical & Scientific goods as per the requirement of a particular model. Colour of product and decoration item may be varying according to availability of material but we make ensure that we will deliver the product with same working, structure and dimensions as describe in product description section.

---



## All Logic Gate (DIY) kit on

### Available offer

- **Free Shipping** above Rs999.
- Pay with UPI QR [Coupons](#)
- **Special Bulk D** Companies and
- Get Special Dis 9109087333.

### Highlights

#### Branding Free Pr

- No Brand Name/ Projects
- 100% Working p
- Tested Project &

#### Documentation

- Free Project Syn
- Printed Short Re
- Printable Soft co

#### Support

- Demo Video – **En**
- Technical Suppo
- [Get Discount Co](#)

#### Delivery Time

- **Handling Perio**

- **Transit Time** :3-5 Days (Approx.)
- **Delivery Time** : Handling Period + Transit Time (4-7 Days Approx.)

**NOTE:** This kit required circuit design & testing skills, buy this kit if you have good circuit design skills, otherwise you can also buy 'ready to use' project for same topic.

---

[Read More](#)

**SKU:** PH\_EPK\_002

**Price:** ~~₹488.00~~ Original price was: ₹488.00. ₹288.00  
Current price is: ₹288.00.

**Stock:** instock

**Categories:** [Engineering project kit \(EPK\)](#), [Hobby DIY kits](#), [IC & TRANSISTOR](#), [Logic Gate](#)

**Tags:** [all logic gate kit](#), [class 12th project kit](#), [do it yourself activity kit](#), [Project hub](#), [project hub bharat](#), [school project](#), [Science activity kit](#)

## Product Description

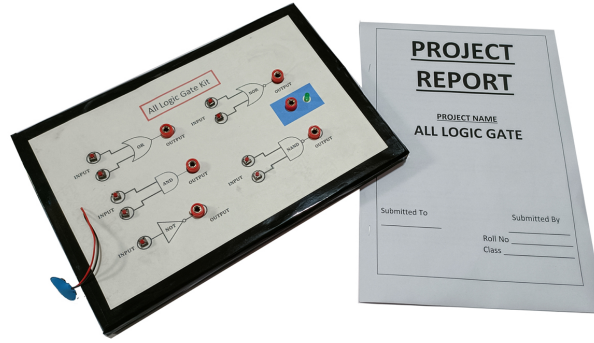
### Kit Includes :

- **Electronic Parts (listed in product image)**
- **Circuit Diagram**
- **Printed Short Report**

### Prerequisite Requirements:

### Skills:

- **Circuit Design on Breadboard** ([Click Here to Watch Free Learning Video](#))
  - **Circuit Testing.**
- 
-



## All Logic Gate Kit

### Kit Includes:

- Project Kit
- 9V Battery
- Print Short Form

### Available offers:

- Free Shipping on orders above ₹1000
- Pay with UPI for 5% Discount./[Coupon](#)
- Special Bulk Discounts for Companies and Institutions
- Get Special Discount on WhatsApp@9192222222

### Highlights Brand

- No Brand Name PCB & Projects
- 100% Working
- Tested Project

### Documentation

- Printed Short Form
- Printable Software

### Support

- Demo Video –
- Technical Support
- [Get Discount Code](#)

[Read More](#)

**SKU:** PH\_SPE\_02

**Price:** ₹664.00 Original Price  
Current price is: ₹332.00

**Stock:** instock

**Categories:** [Electronics](#), [Logic Gate](#), [Physics](#), [Projects](#), [School Project & Experiment](#)

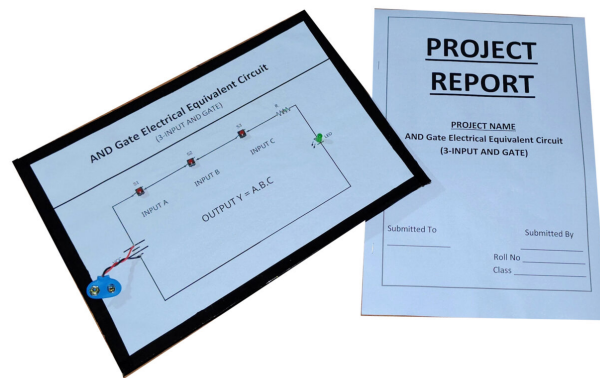
**Tags:** [class 12th science project and experiment](#), [logic gate](#), [new science project](#)

## Product Description

## Download Free Project Synopsis

### Disclaimer

This is a handmade complete working Models, Projects & Activity kits supported by rough study material to make a suitable projects report by the student. It is using Cardboard/Wooden base, Paper, Foam based board, stationary items, Electronic-Electrical Components, Mechanical & Scientific goods as per the requirement of a particular model. Colour of product and decoration item may be varying according to availability of material but we make ensure that we will deliver the product with same working, structure and dimensions as describe in product description section.



## AND logic g equivalent c

### Kit Includes:

- Project Kit
- 9V Battery
- Print Short R

### Available offers:

- Free Shipping orders above P
- Pay with UPI Discount./Coup
- Special Bulk Companies an



- **Get Special Discount Coupon** –  
WhatsApp@9109087333.

### **Highlights Branding Free Project / Activity kit**

- No Brand Name/Logo/Watermark on Components, PCB & Projects
- 100% Working project
- Tested Project & Activity kits

### **Documentation**

- Printed Short Report
- Printable Soft copy of Project Report

### **Support**

- Demo Video – **Embedded below**
- Technical Support – WhatsApp@9109087333
- [Get Discount Coupon](#)

[Read More](#)

**SKU:** PH\_SPE\_03

**Price:** ~~₹316.00~~ Original price was: ₹316.00. ₹186.00  
Current price is: ₹186.00.

**Stock:** instock

**Categories:** [Electronics](#), [Logic Gate](#), [Physics](#), [Projects](#), [School Project & Experiment](#)

**Tags:** [class 12th science project and experiment](#), [logic gate](#), [new science project](#)

## **Product Description**

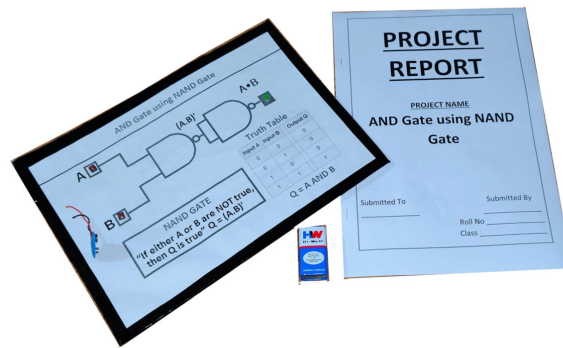
## **Download Free Project Synopsis**

### **Disclaimer**

This is a handmade complete working Models, Projects & Activity kits supported by rough study material to make a suitable projects report by the student. It is using Cardboard/Wooden base, Paper, Foam based board, stationary items, Electronic-Electrical Components, Mechanical &

Scientific goods as per the requirement of a particular model. Colour of product and decoration item may be varying according to availability of material but we make ensure that we will deliver the product with same working, structure and dimensions as describe in product description section.

---



## AND logic g

### Kit Includes:

- Project Kit
- 9V Battery
- Print Short R

### Available offers:

- Free Shipping orders above ₹
- Pay with UPI Discount./Coup
- Special Bulk Companies an
- Get Special D WhatsApp@91

### Highlights Brand

- No Brand Name PCB & Projects
- 100% Working
- Tested Project

### Documentation

- Printed Short F
- Printable Soft

### Support

- Demo Video –
- Technical Supp

- [Get Discount Coupon](#)

[Read More](#)

**SKU:** PH\_SPE\_05

**Price:** ~~₹316.00~~ Original price was: ₹316.00. ₹186.00  
Current price is: ₹186.00.

**Stock:** instock

**Categories:** [Electronics](#), [Logic Gate](#), [Physics](#), [Projects](#), [School Project & Experiment](#)

**Tags:** [class 12th science project and experiment](#), [logic gate](#), [new science project](#)

## Product Description

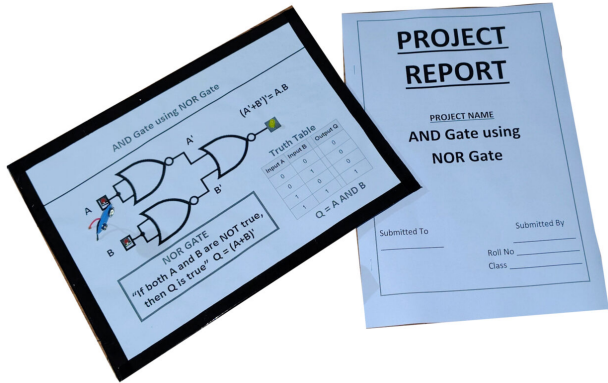
## Download Free Project Synopsis

### Disclaimer

This is a handmade complete working Models, Projects & Activity kits supported by rough study material to make a suitable projects report by the student. It is using Cardboard/Wooden base, Paper, Foam based board, stationary items, Electronic-Electrical Components, Mechanical & Scientific goods as per the requirement of a particular model. Colour of product and decoration item may be varying according to availability of material but we make ensure that we will deliver the product with same working, structure and dimensions as describe in product description section.

---

# AND logic gate using NOR Gate



## Package Includes:

## Branding Free Activity kit

- No Brand Name/Logo/Watermark on Components, PCB & Projects
- Tested Activity kits

## Documentation

- Free Project Synopsis – **Embedded below**
- Printed instruction booklet

## Support

- Working Video – **Embedded Below**
- Technical Support – WhatsApp@9109087333
- Get Discount Coupon - WhatsApp@9303254433

[Read More](#)

**SKU:** PH\_SPE\_06

**Price:** ~~₹316.00~~ Original price was: ₹316.00. ₹186.00  
Current price is: ₹186.00.

**Stock:** instock

**Categories:** [Electronics](#), [Logic Gate](#), [Physics](#), [Projects](#), [School Project & Experiment](#)

**Tags:** [class 12th science project and experiment](#), [logic gate](#), [new science project](#)

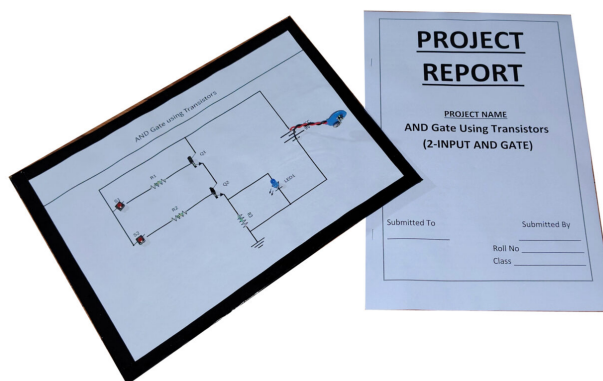
## Product Description

## Download Free Project Synopsis

## Disclaimer

This is a handmade complete working Models, Projects & Activity kits supported by rough study material to make a suitable projects report by the student. It is using Cardboard/Wooden base, Paper, Foam based board, stationary items, Electronic-Electrical Components, Mechanical & Scientific goods as per the requirement of a particular model. Colour of product and decoration item may be varying according to availability of material but we make ensure that we will deliver the product with same working, structure and dimensions as describe in product description section.

---



## AND logic g

### Kit Includes:

- Project Kit
- 9V Battery
- Print Short R

### Available offers:

- Free Shipping orders above ₹
- Pay with UPI Discount./[Cou](#)
- Special Bulk Companies an
- Get Special D WhatsApp@91

### Highlights Brand

- No Brand Nam PCB & Projects
- 100% Working
- Tested Project

### Documentation

- Printed Short F
- Printable Soft

### Support

- Demo Video – **Embedded below**
- Technical Support – WhatsApp@9109087333
- [Get Discount Coupon](#)

[Read More](#)

**SKU:** PH\_SPE\_07

**Price:** ~~₹348.00~~ Original price was: ₹348.00. ₹205.00  
Current price is: ₹205.00.

**Stock:** instock

**Categories:** [Electronics](#), [Logic Gate](#), [Physics](#), [Projects](#), [School Project & Experiment](#)

**Tags:** [class 12th science project and experiment](#), [logic gate](#), [new science project](#)

## Product Description

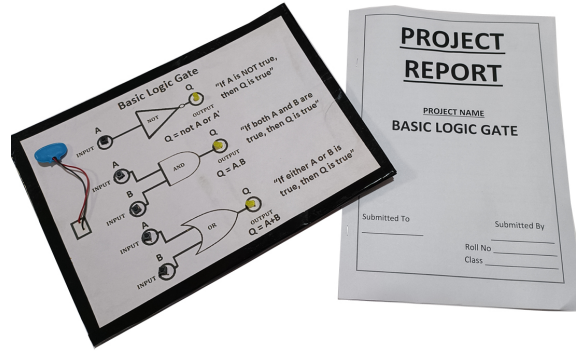
## Download Free Project Synopsis

### Disclaimer

This is a handmade complete working Models, Projects & Activity kits supported by rough study material to make a suitable projects report by the student. It is using Cardboard/Wooden base, Paper, Foam based board, stationary items, Electronic-Electrical Components, Mechanical & Scientific goods as per the requirement of a particular model. Colour of product and decoration item may be varying according to availability of material but we make ensure that we will deliver the product with same working, structure and dimensions as describe in product description section.

---

## Basic Logic



### Kit Includes:

- Project Kit
- 9V Battery
- Print Short R

### Available offers:

- Free Shipping on orders above ₹
- Pay with UPI for 5% Discount./[Coupon](#)
- Special Bulk Discounts for Companies and Institutions
- Get Special Discount on WhatsApp@91

### Highlights Brand

- No Brand Name PCB & Projects
- 100% Working
- Tested Project

### Documentation

- Printed Short F
- Printable Soft

### Support

- Demo Video –
- Technical Support
- [Get Discount C](#)

[Read More](#)

**SKU:** PH\_SPE\_09

**Price:** ₹360.00 Original Price  
Current price is: ₹2

**Stock:** instock

**Categories:** [Electronics](#), [Logic Gate](#), [Physics](#), [Projects](#), [School Project & Experiment](#)

**Tags:** [class 12th science project and experiment](#), [logic gate](#), [new science project](#)

## Product Description

## Download Free Project Synopsis

### Disclaimer

This is a handmade complete working Models, Projects & Activity kits supported by rough study material to make a suitable projects report by the student. It is using Cardboard/Wooden base, Paper, Foam based board, stationary items, Electronic-Electrical Components, Mechanical & Scientific goods as per the requirement of a particular model. Colour of product and decoration item may be varying according to availability of material but we make ensure that we will deliver the product with same working, structure and dimensions as describe in product description section.



## Basic Logic

### Kit Includes:

- Project Kit
- 9V Battery
- Print Short R

### Available offers:

- Free Shipping orders above F
- Pay with UPI Discount./Coup
- Special Bulk Companies an



- **Get Special Discount Coupon –**  
WhatsApp@9109087333.

### **Highlights Branding Free Project / Activity kit**

- No Brand Name/Logo/Watermark on Components, PCB & Projects
- 100% Working project
- Tested Project & Activity kits

### **Documentation**

- Printed Short Report
- Printable Soft copy of Project Report

### **Support**

- Demo Video – **Embedded below**
- Technical Support – WhatsApp@9109087333
- [Get Discount Coupon](#)

[Read More](#)

**SKU:** PH\_SPE\_10

**Price:** ~~₹616.00~~ Original price was: ₹616.00. ₹363.00  
Current price is: ₹363.00.

**Stock:** instock

**Categories:** [Electronics](#), [Logic Gate](#), [Physics](#), [Projects](#), [School Project & Experiment](#)

**Tags:** [class 12th science project and experiment](#), [logic gate](#), [new science project](#)

## **Product Description**

## **Download Free Project Synopsis**

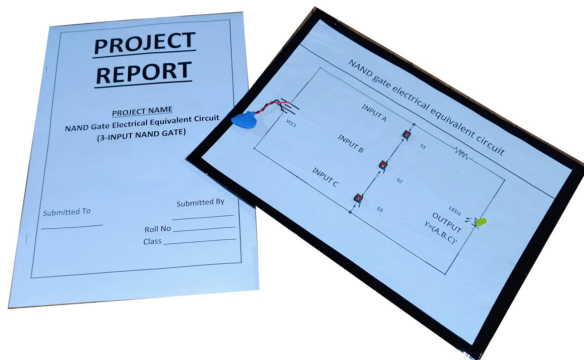
### **Disclaimer**

This is a handmade complete working Models, Projects & Activity kits supported by rough study material to make a suitable projects report by the student. It is using Cardboard/Wooden base, Paper, Foam based board, stationary items, Electronic-Electrical Components, Mechanical &

Scientific goods as per the requirement of a particular model. Colour of product and decoration item may be varying according to availability of material but we make ensure that we will deliver the product with same working, structure and dimensions as describe in product description section.

---

## NAND logic gate electrical equivalent circuit



### Package Includes:

### Branding Free Activity kit

- No Brand Name/Logo/Watermark on Components, PCB & Projects
- Tested Activity kits

### Documentation

- Free Project Synopsis – **Embedded below**
- Printed instruction booklet

### Support

- Working Video – **Embedded Below**
- Technical Support – WhatsApp@9109087333
- Get Discount Coupon – WhatsApp@9303254433

[Read More](#)

**SKU:** PH\_SPE\_74

**Price:** ~~₹336.00~~ Original price was: ₹336.00. ₹198.00  
Current price is: ₹198.00.

**Stock:** instock

**Categories:** [Electronics](#), [Logic Gate](#), [Physics](#), [Projects](#), [School Project & Experiment](#)

**Tags:** [class 12th science project and experiment](#), [logic gate](#), [new science project](#)

## Product Description

# Download Free Project Synopsis

## Disclaimer

This is a handmade complete working Models, Projects & Activity kits supported by rough study material to make a suitable projects report by the student. It is using Cardboard/Wooden base, Paper, Foam based board, stationary items, Electronic-Electrical Components, Mechanical & Scientific goods as per the requirement of a particular model. Colour of product and decoration item may be varying according to availability of material but we make ensure that we will deliver the product with same working, structure and dimensions as describe in product description section.

---



## NAND logic transistors

## Package Includ

## Branding Free

- No Brand Name
- PCB & Projects
- Tested Activity

## Documentation

- Free Project Sy
- Printed instruc

## Support

- Working Video
- Technical Supp
- Get Discount C

[Read More](#)

**SKU:** PH\_SPE\_76

**Price:** ₹368.00 Original price was: ₹368.00. ~~₹217.00~~  
Current price is: ₹217.00.

**Stock:** instock

**Categories:** [Electronics](#), [Logic Gate](#), [Physics](#), [Projects](#), [School Project & Experiment](#)

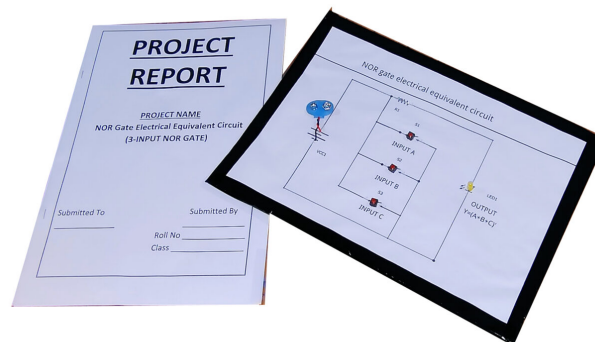
**Tags:** [class 12th science project and experiment](#), [logic gate](#), [new science project](#)

## Product Description

## Download Free Project Synopsis

### Disclaimer

This is a handmade complete working Models, Projects & Activity kits supported by rough study material to make a suitable projects report by the student. It is using Cardboard/Wooden base, Paper, Foam based board, stationary items, Electronic-Electrical Components, Mechanical & Scientific goods as per the requirement of a particular model. Colour of product and decoration item may be varying according to availability of material but we make ensure that we will deliver the product with same working, structure and dimensions as describe in product description section.



## NOR logic g equivalent c

## Package Includ

## Branding Free

- No Brand Nam
- PCB & Projects
- Tested Activity

## Documentation

- Free Project Synopsis – **Embedded below**
- Printed instruction booklet

## Support

- Working Video – **Embedded Below**
- Technical Support – WhatsApp@9109087333
- Get Discount Coupon – WhatsApp@9303254433

[Read More](#)

**SKU:** PH\_SPE\_79

**Price:** ~~₹336.00~~ Original price was: ₹336.00. ₹198.00  
Current price is: ₹198.00.

**Stock:** instock

**Categories:** [Electronics](#), [Logic Gate](#), [Physics](#), [Projects](#), [School Project & Experiment](#)

**Tags:** [class 12th science project and experiment](#), [logic gate](#), [new science project](#)

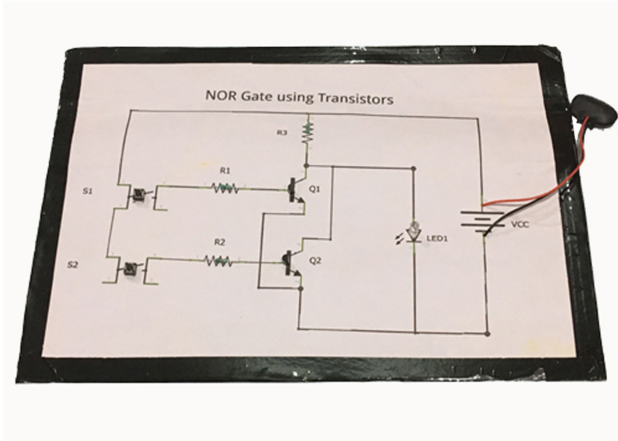
## Product Description

## Download Free Project Synopsis

### Disclaimer

This is a handmade complete working Models, Projects & Activity kits supported by rough study material to make a suitable projects report by the student. It is using Cardboard/Wooden base, Paper, Foam based board, stationary items, Electronic-Electrical Components, Mechanical & Scientific goods as per the requirement of a particular model. Colour of product and decoration item may be varying according to availability of material but we make ensure that we will deliver the product with same working, structure and dimensions as describe in product description section.

---



## NOR logic gate using transistors

### Package Includes:

### Branding Free Activity kit

- No Brand Name/Logo/Watermark on Components, PCB & Projects
- Tested Activity kits

### Documentation

- Free Project Synopsis – **Embedded below**
- Printed instruction booklet

### Support

- Working Video – **Embedded Below**
- Technical Support – WhatsApp@9109087333
- Get Discount Coupon – WhatsApp@9303254433

[Read More](#)

**SKU:** PH\_SPE\_81

**Price:** ~~₹368.00~~ Original price was: ₹368.00. ₹217.00  
Current price is: ₹217.00.

**Stock:** instock

**Categories:** [Electronics](#), [Logic Gate](#), [Physics](#), [Projects](#), [School Project & Experiment](#)

**Tags:** [class 12th science project and experiment](#), [logic gate](#), [new science project](#)

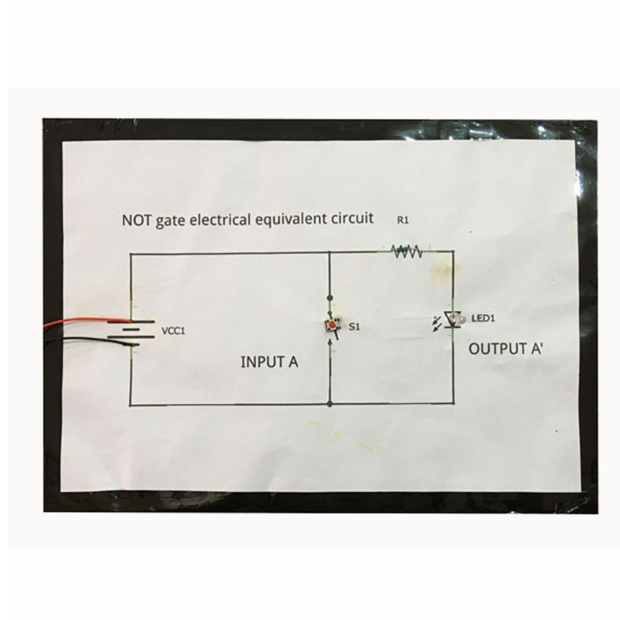
### Product Description

## Download Free Project Synopsis

## Disclaimer

This is a handmade complete working Models, Projects & Activity kits supported by rough study material to make a suitable projects report by the student. It is using Cardboard/Wooden base, Paper, Foam based board, stationary items, Electronic-Electrical Components, Mechanical & Scientific goods as per the requirement of a particular model. Colour of product and decoration item may be varying according to availability of material but we make ensure that we will deliver the product with same working, structure and dimensions as describe in product description section.

---



## NOT logic g equivalent c

### Package Includ

### Branding Free

- No Brand Name
- PCB & Projects
- Tested Activity

### Documentation

- Free Project Sy
- Printed instruc

### Support

- Working Video
- Technical Supp
- Get Discount C

[Read More](#)

**SKU:** PH\_SPE\_82

**Price:** ₹320.00 Orig  
Current price is: ₹1

**Stock:** instock

**Categories:** [Electr](#)  
[School Project & Ex](#)

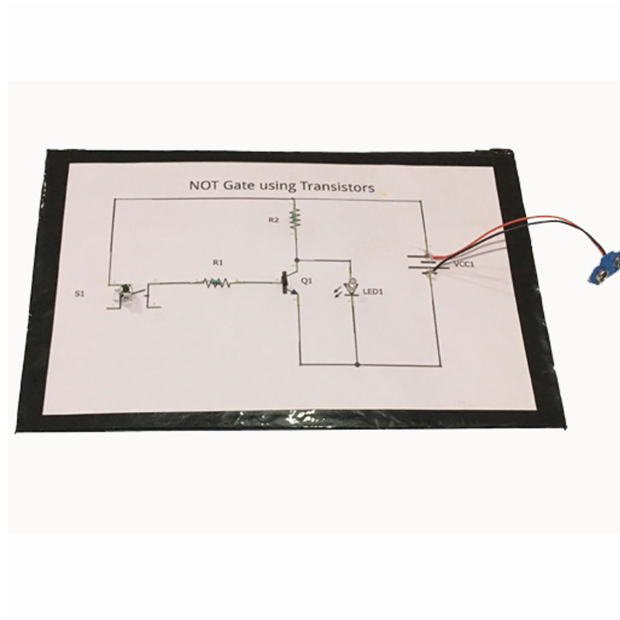
**Tags:** [class 12th science project and experiment](#), [logic gate](#), [new science project](#)

## Product Description

## Download Free Project Synopsis

### Disclaimer

This is a handmade complete working Models, Projects & Activity kits supported by rough study material to make a suitable projects report by the student. It is using Cardboard/Wooden base, Paper, Foam based board, stationary items, Electronic-Electrical Components, Mechanical & Scientific goods as per the requirement of a particular model. Colour of product and decoration item may be varying according to availability of material but we make ensure that we will deliver the product with same working, structure and dimensions as describe in product description section.



## NOT logic g

## Package Includ

## Branding Free

- No Brand Name
- PCB & Projects
- Tested Activity

## Documentation

- Free Project Sy
- Printed instruc

## Support

- Working Video
- Technical Supp
- Get Discount C



[Read More](#)

**SKU:** PH\_SPE\_85

**Price:** ₹352.00 Original price was: ₹352.00. ~~₹208.00~~

Current price is: ₹208.00.

**Stock:** instock

**Categories:** [Electronics](#), [Logic Gate](#), [Physics](#), [Projects](#), [School Project & Experiment](#)

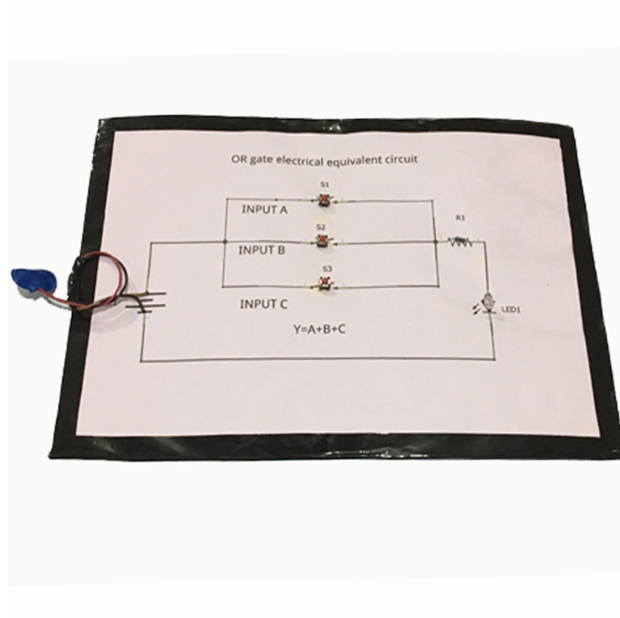
**Tags:** [class 12th science project and experiment](#), [logic gate](#), [new science project](#)

## Product Description

## Download Free Project Synopsis

### Disclaimer

This is a handmade complete working Models, Projects & Activity kits supported by rough study material to make a suitable projects report by the student. It is using Cardboard/Wooden base, Paper, Foam based board, stationary items, Electronic-Electrical Components, Mechanical & Scientific goods as per the requirement of a particular model. Colour of product and decoration item may be varying according to availability of material but we make ensure that we will deliver the product with same working, structure and dimensions as describe in product description section.



**OR logic gate  
equivalent circuit**

**Package Includes**

**Branding Free**

- No Brand Name
- PCB & Projects
- Tested Activity

## Documentation

- Free Project Synopsis – **Embedded below**
- Printed instruction booklet

## Support

- Working Video – **Embedded Below**
- Technical Support – WhatsApp@9109087333
- Get Discount Coupon – WhatsApp@9303254433

[Read More](#)

**SKU:** PH\_SPE\_86

**Price:** ~~₹336.00~~ Original price was: ₹336.00. ₹198.00  
Current price is: ₹198.00.

**Stock:** instock

**Categories:** [Electronics](#), [Logic Gate](#), [Physics](#), [Projects](#), [School Project & Experiment](#)

**Tags:** [class 12th science project and experiment](#), [logic gate](#), [new science project](#)

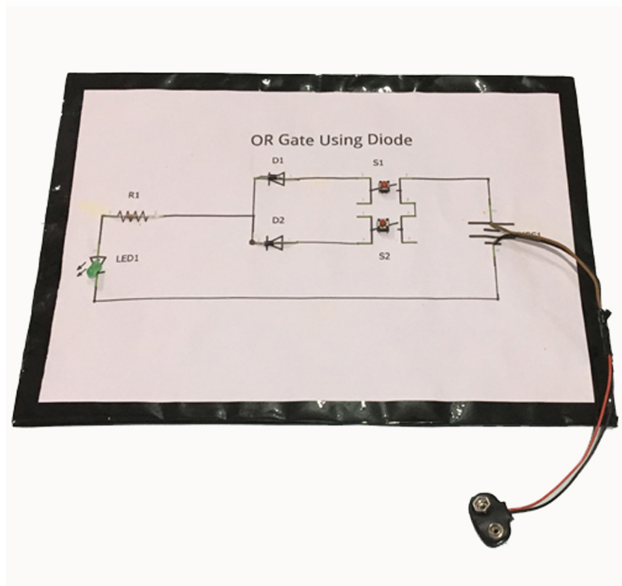
## Product Description

## Download Free Project Synopsis

### Disclaimer

This is a handmade complete working Models, Projects & Activity kits supported by rough study material to make a suitable projects report by the student. It is using Cardboard/Wooden base, Paper, Foam based board, stationary items, Electronic-Electrical Components, Mechanical & Scientific goods as per the requirement of a particular model. Colour of product and decoration item may be varying according to availability of material but we make ensure that we will deliver the product with same working, structure and dimensions as describe in product description section.

---



## OR logic gate using DIODE

### Package Includes:

### Branding Free Activity kit

- No Brand Name/Logo/Watermark on Components, PCB & Projects
- Tested Activity kits

### Documentation

- Free Project Synopsis – **Embedded below**
- Printed instruction booklet

### Support

- Working Video – **Embedded Below**
- Technical Support – WhatsApp@9109087333
- Get Discount Coupon – WhatsApp@9303254433

[Read More](#)

**SKU:** PH\_SPE\_87

**Price:** ~~₹340.00~~ Original price was: ₹340.00. ₹201.00  
Current price is: ₹201.00.

**Stock:** instock

**Categories:** [Electronics](#), [Logic Gate](#), [Physics](#), [Projects](#), [School Project & Experiment](#)

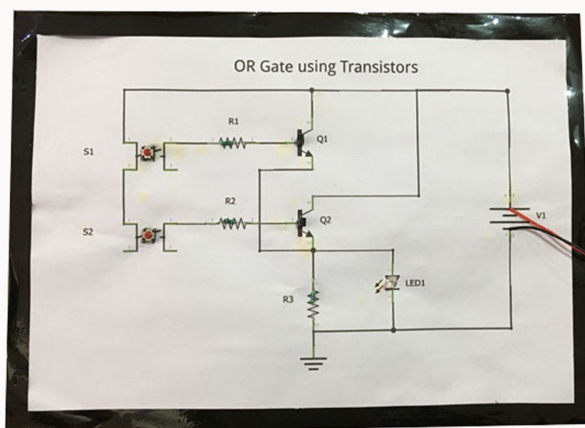
**Tags:** [class 12th science project and experiment](#), [logic gate](#), [new science project](#)

### Product Description

## Download Free Project Synopsis

## Disclaimer

This is a handmade complete working Models, Projects & Activity kits supported by rough study material to make a suitable projects report by the student. It is using Cardboard/Wooden base, Paper, Foam based board, stationary items, Electronic-Electrical Components, Mechanical & Scientific goods as per the requirement of a particular model. Colour of product and decoration item may be varying according to availability of material but we make ensure that we will deliver the product with same working, structure and dimensions as describe in product description section.



## OR logic gate

### Package Includes

### Branding Free

- No Brand Name
- PCB & Projects
- Tested Activity

### Documentation

- Free Project Sy
- Printed instruc

### Support

- Working Video
- Technical Supp
- Get Discount C

[Read More](#)

**SKU:** PH\_SPE\_90

**Price:** ₹368.00 Original  
Current price is: ₹2

**Stock:** instock

**Categories:** [Electr](#)  
[School Project & Ex](#)

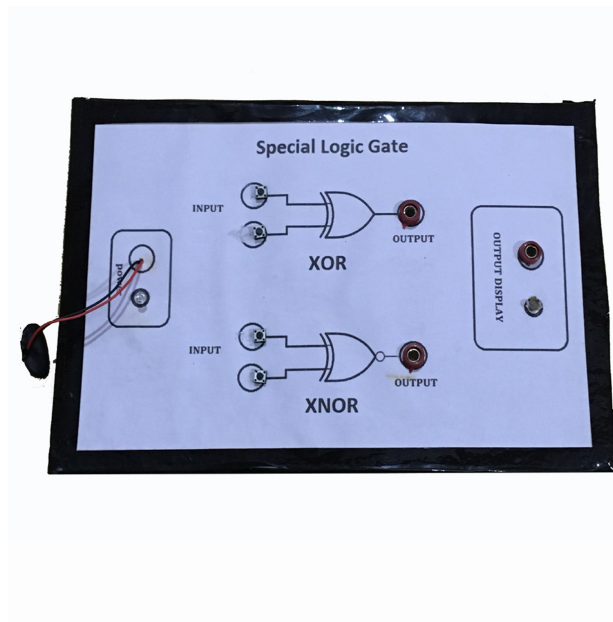
**Tags:** [class 12th science project and experiment](#), [logic gate](#), [new science project](#)

## Product Description

## Download Free Project Synopsis

### Disclaimer

This is a handmade complete working Models, Projects & Activity kits supported by rough study material to make a suitable projects report by the student. It is using Cardboard/Wooden base, Paper, Foam based board, stationary items, Electronic-Electrical Components, Mechanical & Scientific goods as per the requirement of a particular model. Colour of product and decoration item may be varying according to availability of material but we make ensure that we will deliver the product with same working, structure and dimensions as describe in product description section.



## Special Log

### Kit Includes:

- Project Kit
- 9V Battery
- Print Short R

### Available offers:

- Free Shipping on orders above ₹
- Pay with UPI for 5% Discount./[Cou](#)
- Special Bulk Discounts for Companies and
- Get Special D on WhatsApp@91

### Highlights Brand

- No Brand Name/Logo/Watermark on Components, PCB & Projects
- 100% Working project
- Tested Project & Activity kits

### Documentation

- Printed Short Report
- Printable Soft copy of Project Report

### Support

- Demo Video – **Embedded below**
- Technical Support – WhatsApp@9109087333
- [Get Discount Coupon](#)

[Read More](#)

**SKU:** PH\_SPE\_111

**Price:** ~~₹600.00~~ Original price was: ₹600.00. ₹560.00  
Current price is: ₹560.00.

**Stock:** instock

**Categories:** [Electronics](#), [Logic Gate](#), [Physics](#), [Projects](#), [School Project & Experiment](#)

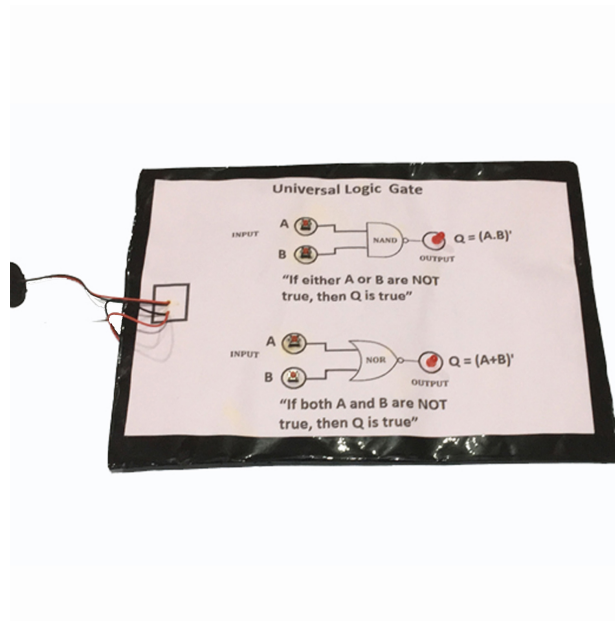
**Tags:** [class 12th science project and experiment](#), [logic gate](#), [new science project](#)

## Product Description

## Download Free Project Synopsis

### Disclaimer

This is a handmade complete working Models, Projects & Activity kits supported by rough study material to make a suitable projects report by the student. It is using Cardboard/Wooden base, Paper, Foam based board, stationary items, Electronic-Electrical Components, Mechanical & Scientific goods as per the requirement of a particular model. Colour of product and decoration item may be varying according to availability of material but we make ensure that we will deliver the product with same working, structure and dimensions as describe in product description section.



## Universal Logic Gate

### Kit Includes:

- Project Kit
- 9V Battery
- Print Short R

### Available offers:

- Free Shipping on orders above ₹1000
- Pay with UPI for 5% Discount./[Coupon](#)
- Special Bulk Discounts for Companies and Institutions
- Get Special Discount on WhatsApp@919226000000

### Highlights Brand

- No Brand Name PCB & Projects
- 100% Working
- Tested Project

### Documentation

- Printed Short R
- Printable Soft

### Support

- Demo Video –
- Technical Support
- [Get Discount C](#)

[Read More](#)

**SKU:** PH\_SPE\_125

**Price:** ₹280.00 Original price was: ₹280.00. ₹250.00  
Current price is: ₹250.00.

**Stock:** instock

**Categories:** [Electronics](#), [Logic Gate](#), [Physics](#), [Projects](#), [School Project & Experiment](#)

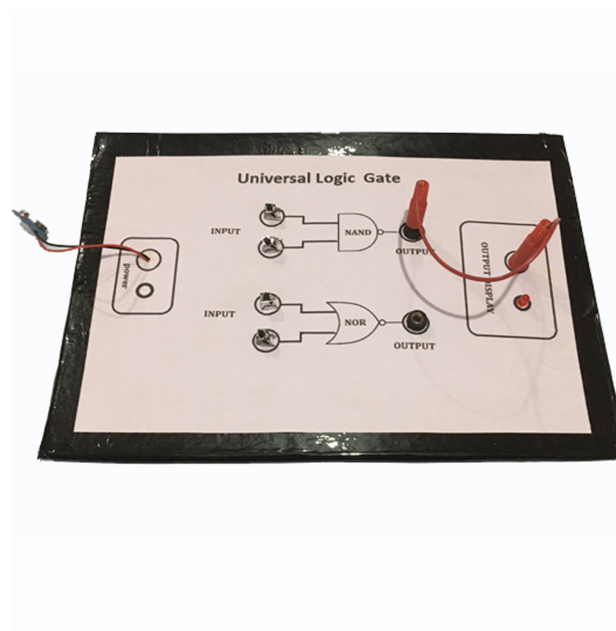
**Tags:** [class 12th science project and experiment](#), [logic gate](#), [new science project](#)

## Product Description

## Download Free Project Synopsis

### Disclaimer

This is a handmade complete working Models, Projects & Activity kits supported by rough study material to make a suitable projects report by the student. It is using Cardboard/Wooden base, Paper, Foam based board, stationary items, Electronic-Electrical Components, Mechanical & Scientific goods as per the requirement of a particular model. Colour of product and decoration item may be varying according to availability of material but we make ensure that we will deliver the product with same working, structure and dimensions as describe in product description section.



## Universal Logic Gate

### Kit Includes:

- Project Kit
- 9V Battery
- Print Short R

### Available offers:

- Free Shipping on orders above ₹
- Pay with UPI for 10% Discount./[Cou](#)



- **Special Bulk Discounts** – for colleges, Schools, Companies and resellers. /[Contact Us](#).
- **Get Special Discount Coupon** – WhatsApp@9109087333.

### Highlights **Branding Free Project / Activity kit**

- No Brand Name/Logo/Watermark on Components, PCB & Projects
- 100% Working project
- Tested Project & Activity kits

### Documentation

- Printed Short Report
- Printable Soft copy of Project Report

### Support

- Demo Video – **Embedded below**
- Technical Support – WhatsApp@9109087333
- [Get Discount Coupon](#)

[Read More](#)

**SKU:** PH\_SPE\_126

**Price:** ~~₹320.00~~ Original price was: ₹320.00. ₹280.00  
Current price is: ₹280.00.

**Stock:** instock

**Categories:** [Electronics](#), [Logic Gate](#), [Physics](#), [Projects](#), [School Project & Experiment](#)

**Tags:** [class 12th science project and experiment](#), [logic gate](#), [new science project](#)

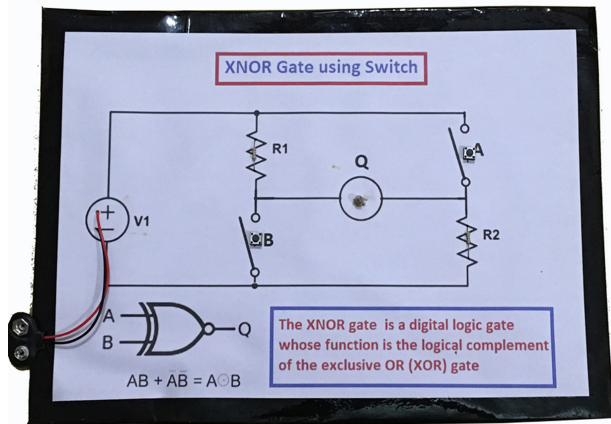
## Product Description

## Download Free Project Synopsis

## Disclaimer

This is a handmade complete working Models, Projects & Activity kits supported by rough study

material to make a suitable projects report by the student. It is using Cardboard/Wooden base, Paper, Foam based board, stationary items, Electronic-Electrical Components, Mechanical & Scientific goods as per the requirement of a particular model. Colour of product and decoration item may be varying according to availability of material but we make ensure that we will deliver the product with same working, structure and dimensions as describe in product description section.



## XNOR Logic Gate using Switch

### Package Includes:

### Branding Free Activity kit

- No Brand Name/Logo/Watermark on Components, PCB & Projects
- Tested Activity kits

### Documentation

- Free Project Synopsis – **Embedded below**
- Printed instruction booklet

### Support

- Working Video – **Embedded Below**
- Technical Support – WhatsApp@9109087333
- Get Discount Coupon - WhatsApp@9303254433

[Read More](#)

**SKU:** PH\_SPE\_136

**Price:** ₹200.00 Original price was: ₹200.00. ₹180.00  
Current price is: ₹180.00.

**Stock:** instock

**Categories:** [Electronics](#), [Logic Gate](#), [Physics](#), [Projects](#), [School Project & Experiment](#)

**Tags:** [class 12th science project and experiment](#), [logic gate](#), [new science project](#)

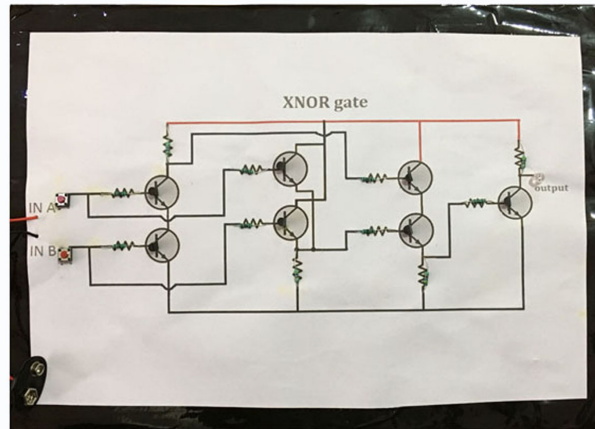
## Product Description

## Download Free Project Synopsis

### Disclaimer

This is a handmade complete working Models, Projects & Activity kits supported by rough study material to make a suitable projects report by the student. It is using Cardboard/Wooden base, Paper, Foam based board, stationary items, Electronic-Electrical Components, Mechanical & Scientific goods as per the requirement of a particular model. Colour of product and decoration item may be varying according to availability of material but we make ensure that we will deliver the product with same working, structure and dimensions as describe in product description section.

---



## XNOR Logic Transistors

### Package Includ

### Branding Free

- No Brand Name
- PCB & Projects
- Tested Activity

### Documentation

- Free Project Sy
- Printed instruc

### Support

- Working Video
- Technical Supp
- Get Discount C

[Read More](#)

**SKU:** PH\_SPE\_137

**Price:** ₹240.00 Original price was: ₹240.00. ~~₹210.00~~  
Current price is: ₹210.00.

**Stock:** instock

**Categories:** [Electronics](#), [Logic Gate](#), [Physics](#), [Projects](#), [School Project & Experiment](#)

**Tags:** [class 12th science project and experiment](#), [logic gate](#), [new science project](#)

## Product Description

## Download Free Project Synopsis

### Disclaimer

This is a handmade complete working Models, Projects & Activity kits supported by rough study material to make a suitable projects report by the student. It is using Cardboard/Wooden base, Paper, Foam based board, stationary items, Electronic-Electrical Components, Mechanical & Scientific goods as per the requirement of a particular model. Colour of product and decoration item may be varying according to availability of material but we make ensure that we will deliver the product with same working, structure and dimensions as describe in product description section.

---