

## Kirchoff's law of current (KCL) Node analysis

### Package Includes:

### Branding Free Activity kit

- No Brand Name/Logo/Watermark on Components, PCB & Projects
- Tested Activity kits

### Documentation

- Free Project Synopsis – **Embedded below**
- Printed instruction booklet

### Support

- Working Video – **Embedded Below**
- Technical Support – WhatsApp@9109087333
- Get Discount Coupon - WhatsApp@9303254433

[Read More](#)

**SKU:** PH\_SPE\_65

**Price:** ₹240.00 Original price was: ₹240.00. ~~₹220.00~~  
Current price is: ₹220.00.

**Stock:** instock

**Categories:** [Electricity & Magnetism](#), [Physics](#), [Projects](#), [School Project & Experiment](#)

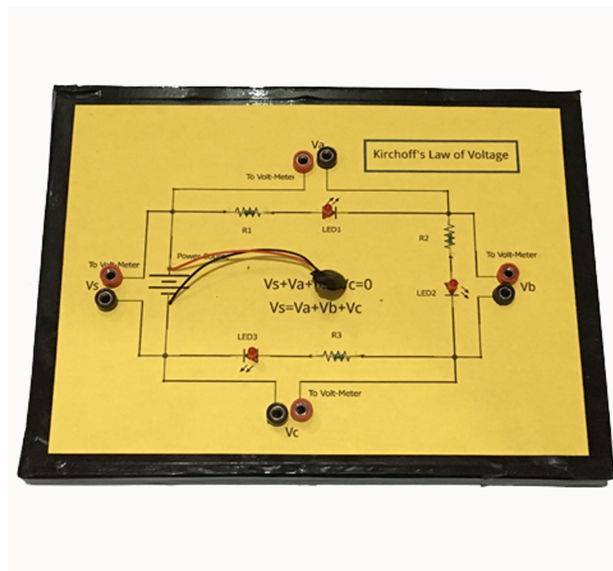
**Tags:** [class 12th science project and experiment](#), [new science project](#)

## Product Description

## Download Free Project Synopsis

### Disclaimer

This is a handmade complete working Models, Projects & Activity kits supported by rough study material to make a suitable projects report by the student. It is using Cardboard/Wooden base, Paper, Foam based board, stationary items, Electronic-Electrical Components, Mechanical & Scientific goods as per the requirement of a particular model. Colour of product and decoration item may be varying according to availability of material but we make ensure that we will deliver the product with same working, structure and dimensions as describe in product description section.



## Kirchoff's la

### Package Includ

### Branding Free

- No Brand Nam
- PCB & Projects
- Tested Activity

### Documentation

- Free Project Sy
- Printed instruc

### Support

- Working Video
- Technical Supp
- Get Discount C

[Read More](#)

**SKU:** PH\_SPE\_66

**Price:** ₹400.00 Orig  
Current price is: ₹3

**Stock:** instock

**Categories:** [Electricity & Magnetism](#), [Physics](#), [Projects](#), [School Project & Experiment](#)

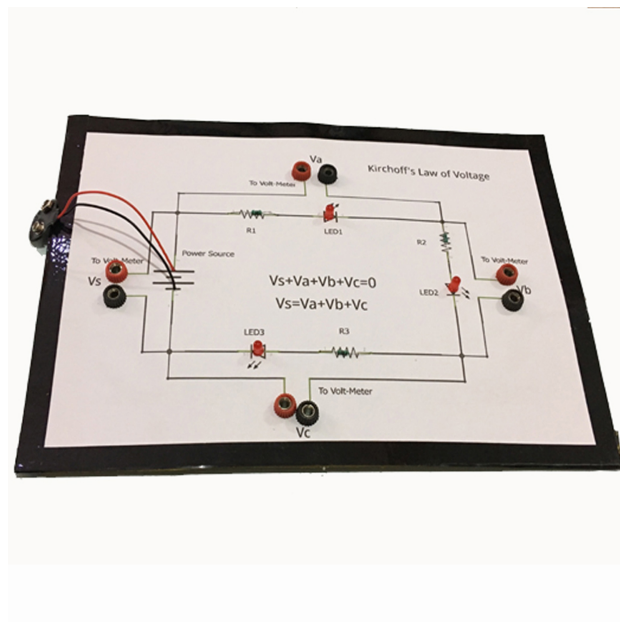
**Tags:** [class 12th science project and experiment](#), [new science project](#)

## Product Description

## Download Free Project Synopsis

### Disclaimer

This is a handmade complete working Models, Projects & Activity kits supported by rough study material to make a suitable projects report by the student. It is using Cardboard/Wooden base, Paper, Foam based board, stationary items, Electronic-Electrical Components, Mechanical & Scientific goods as per the requirement of a particular model. Colour of product and decoration item may be varying according to availability of material but we make ensure that we will deliver the product with same working, structure and dimensions as describe in product description section.



## Kirchoff's Law of Voltage

### Mesh analysis

### Package Includes

### Branding Free

- No Brand Name
- PCB & Projects
- Tested Activity

### Documentation

- Free Project Syn
- Printed instruc

## Support

- Working Video – **Embedded Below**
- Technical Support – WhatsApp@9109087333
- Get Discount Coupon - WhatsApp@9303254433

[Read More](#)

**SKU:** PH\_SPE\_67

**Price:** ~~₹240.00~~ Original price was: ₹240.00. ₹220.00  
Current price is: ₹220.00.

**Stock:** instock

**Categories:** [Electricity & Magnetism](#), [Physics](#), [Projects](#), [School Project & Experiment](#)

**Tags:** [class 12th science project and experiment](#), [new science project](#)

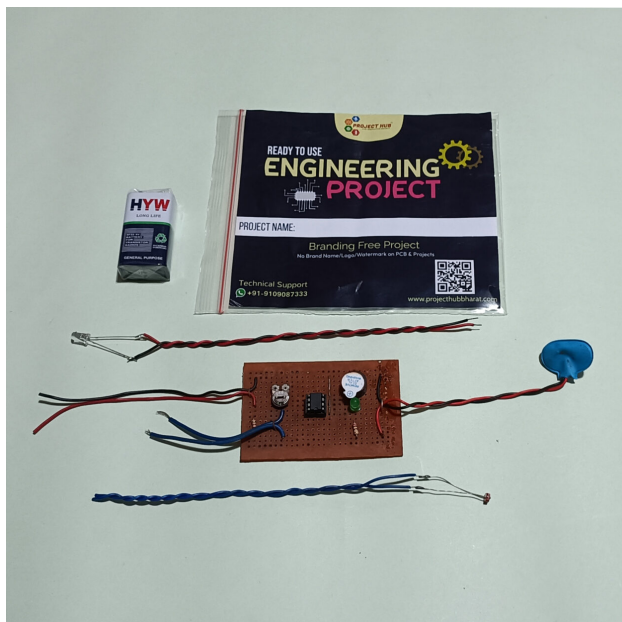
## Product Description

## Download Free Project Synopsis

### Disclaimer

This is a handmade complete working Models, Projects & Activity kits supported by rough study material to make a suitable projects report by the student. It is using Cardboard/Wooden base, Paper, Foam based board, stationary items, Electronic-Electrical Components, Mechanical & Scientific goods as per the requirement of a particular model. Colour of product and decoration item may be varying according to availability of material but we make ensure that we will deliver the product with same working, structure and dimensions as describe in product description section.

---



## LASER Security System , LDR Based Security System on Dotted/multipurpose PCB board

### Package Includes:

### Branding Free Project / Activity kit

- No Brand Name/Logo/Watermark on Components, PCB & Projects
- 100% Working project
- Tested Project & Activity kits

### Documentation

- Free Project Synopsis – **Embedded below**
- Printed instruction booklet
- Printable Soft copy of Project Report
- PPT

### Support

- Demo Video – **Embedded below**
- Technical Support – WhatsApp@9109087333
- Get Discount Coupon – WhatsApp@9303254433

[Read More](#)

**SKU:** PH\_EP\_087

**Price:** ~~₹392.00~~ Original price was: ₹392.00. ₹231.00  
Current price is: ₹231.00.

**Stock:** instock

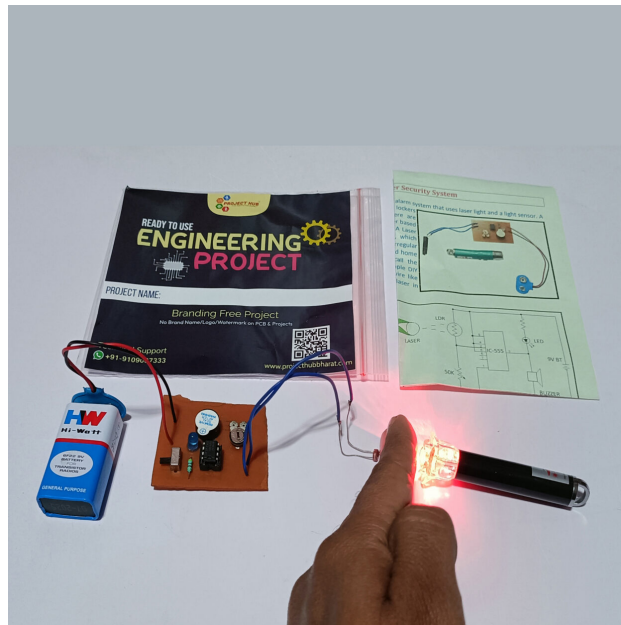
**Categories:** [Engineering project](#), [IC & Transistor](#), [Mini Project](#), [Projects](#)

## Product Description

# Download Free Project Synopsis

## Working Video

This is a handmade complete working Models, Projects & Activity kits supported by rough study material to make a suitable projects report by the student. It is using Cardboard/Wooden base, Paper, Foam based board, stationary items, Electronic-Electrical Components, Mechanical & Scientific goods as per the requirement of a particular model. Colour of product and decoration item may be varying according to availability of material but we make ensure that we will deliver the product with same working, structure and dimensions as describe in product description section.



## LASER Security System 555 timer

### Available offer

- **Free Shipping** above Rs999.
- Pay with UPI QR [Coupons](#)
- **Special Bulk Discount** for Companies and Institutions
- Get Special Discount on [9109087333](#).

## Highlights

### Branding Free Project

- No Brand Name/Logo on Projects
- 100% Working project
- Tested Project & Components

## Documentation

- Free Project Synopsis – **Embedded below**
- Printed Short Report
- Printable Soft copy of Project Report

### Support

- Demo Video – **Embedded below**
- Technical Support – WhatsApp@9109087333
- [Get Discount Coupon](#)

### Delivery Time

- **Handling Period** : 1-2 Days
- **Transit Time** :3-5 Days (Approx.)
- **Delivery Time** : Handling Period + Transit Time (4-7 Days Approx.)

[Click Here to Buy Do It Yourself Kit](#)

[Read More](#)

**SKU:** PH\_EP\_005

**Price:** ₹552.00 Original price was: ₹552.00. ~~₹326.00~~  
Current price is: ₹326.00.

**Stock:** instock

**Categories:** [Engineering project](#), [IC & Transistor](#), [Mini Project](#), [Projects](#)

**Tags:** [Alarm System](#), [DIY Project](#), [Electrical engineering project](#), [Electronics](#), [Electronics engineering](#), [Laser Technology](#), [mini projects](#), [minor project for electronics students](#), [security system](#)

## Product Description

### Abstract:

A laser alarm system operates by projecting a beam of invisible laser light across a doorway or window opening. When the light is broken, it activates a buzzer or alarm. The principles are very similar to those of lower tech burglar alarms.

### **Theory:**

This system for security uses the combination of LASER light and LDR. The LDR module has an onboard potentiometer to adjust the sensitivity of LDR, so that it only senses laser light falling onto it. The concept is quite simple and similar to what we see in movies where antique, priceless ornaments are protected under laser lights. As someone crosses these lights, an alarm runs on to indicate unauthorized presence. This project works similarly. In normal conditions, where there is always laser light falling on the LDR, the LDR module always gives a high signal to integrated circuit . When someone crosses this laser light, it will behave as an obstruction between the LDR module and laser light, resulting in no light falling on LDR. In such cases LDR module gives a low signal to the integrated circuit, which indicates it to switch on an alarm.

---

### **[Download Free Project Synopsis](#)**

---

### **[Working Video:](#)**

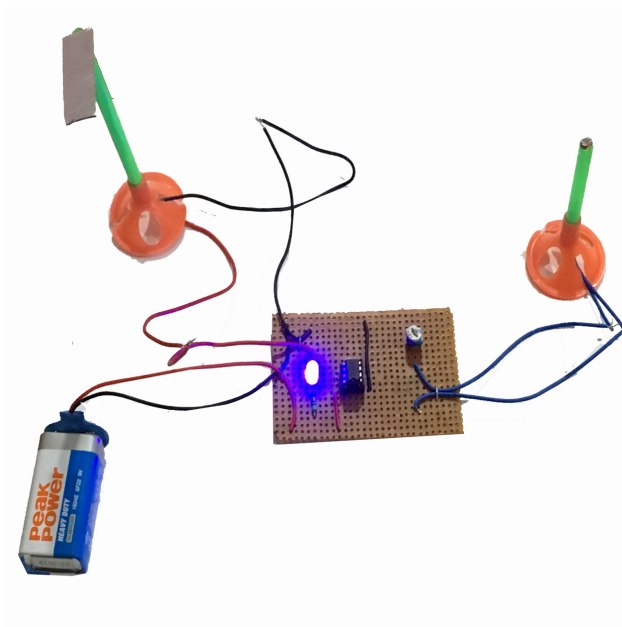
---

### **Disclaimer:**

This is a handmade complete working Models, Projects & Activity kits supported by rough study material to make a suitable projects report by the student. It is using Cardboard/Wooden base, Paper, Foam based board, stationary items, Electronic-Electrical Components, Mechanical & Scientific goods as per the requirement of a particular model. Colour of product and decoration item may be varying according to availability of material but we make ensure that we will deliver the product with same working, structure and dimensions as describe in product description section.

---





## LDR Sensor Based Automatic Street Light Control Ready to Use Kit on Dotted/multipurpose PCB board

**Package Includes:**

**Branding Free Project / Activity kit**

- No Brand Name/Logo/Watermark on Components, PCB & Projects
- 100% Working project
- Tested Project & Activity kits

### Documentation

- Free Project Synopsis – **Embedded below**
- Printed instruction booklet
- Printable Soft copy of Project Report
- PPT

### Support

- Demo Video – **Embedded below**
- Technical Support – WhatsApp@9109087333
- Get Discount Coupon – WhatsApp@9303254433

[Read More](#)

**SKU:** PH\_EP\_086

**Price:** ~~₹372.00~~ Original price was: ₹372.00. ₹219.00  
Current price is: ₹219.00.

**Stock:** instock

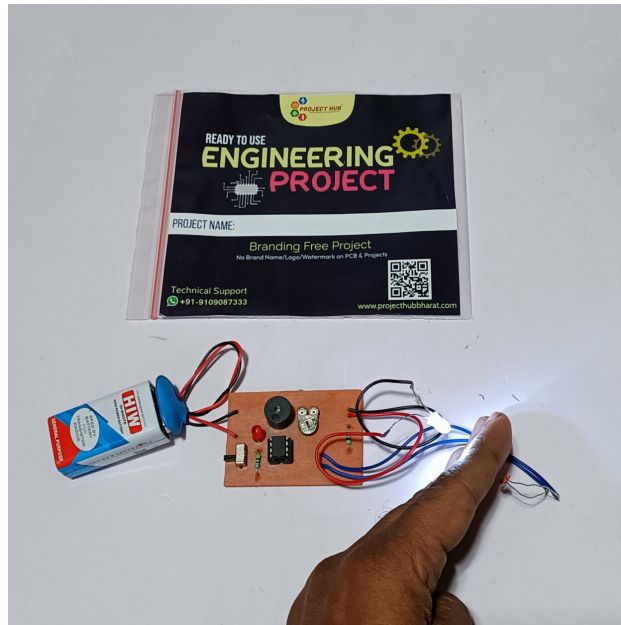
**Categories:** [Engineering project](#), [IC & Transistor](#), [Mini Project](#), [Projects](#)

## Product Description

## Download Free Project Synopsis

### Working Video

This is a handmade complete working Models, Projects & Activity kits supported by rough study material to make a suitable projects report by the student. It is using Cardboard/Wooden base, Paper, Foam based board, stationary items, Electronic-Electrical Components, Mechanical & Scientific goods as per the requirement of a particular model. Colour of product and decoration item may be varying according to availability of material but we make ensure that we will deliver the product with same working, structure and dimensions as describe in product description section.



## LED & LDR Handmade

### Available offer

- **Free Shipping** above Rs999.
- COD available in above 999.
- Pay with UPI QR [Coupons](#)
- **Special Bulk D** Companies and
- Get Special Disc

### Highlights

#### Branding Free Pr

- No Brand Name/ Projects
- 100% Working p

- Tested Project & Activity kits

### Documentation

- Free Project Synopsis - **Embedded below**
- Printed Short Report
- Printable Soft copy of Project Report

### Support

- Demo Video - **Embedded below**
- Technical Support - WhatsApp@9109087333
- [Get Discount Coupon](#)

Click Here to Buy Do It Yourself Kit

[Read More](#)

**SKU:** PH\_EP\_024

**Price:** ~~₹416.00~~ Original price was: ₹416.00. ₹245.00  
Current price is: ₹245.00.

**Stock:** instock

**Categories:** [Engineering project](#), [IC & Transistor](#), [Mini Project](#), [Projects](#)

## Product Description

### INTRODUCTION:

An LED (Light Emitting Diode) and LDR (Light Dependent Resistor) based laser security system is a simple yet effective way to detect intrusion or unauthorized access to a specific area. While it's not an actual laser system, it can mimic the functionality by using an LED as a light source and an LDR to detect changes in the light intensity. To create an LED and LDR based laser security system using an IC555 timer, we can design a circuit that utilizes the timer's functionalities to generate a modulated light signal and detect any interruption using the LDR

### AIM:

The aim of this project is to design and implement a laser security system using readily available components such as LEDs, LDRs, and an IC555 timer. The system should be capable of detecting and alerting against intrusions or unauthorized access to a specific area. The LED

and LDR based laser security system using an IC555 timer is a project aimed at creating a cost-effective and easily implementable security system. This system detects intrusions or unauthorized access to a specific area by using an LED as a light source, an LDR to detect changes in light intensity, and an IC555 timer to generate a modulated light signal.

### **PRINCIPLE:**

The principle behind this project lies in the interruption of a modulated light signal and the detection of changes in light intensity by the LDR. The IC555 timer is configured as an astable multivibrator, generating a continuous square wave signal that modulates the LED's light intensity. The LDR, placed in the path of the modulated light, detects changes in light intensity caused by an intrusion. These changes in intensity are then processed to trigger an alarm or alert.

---

### **[Download Free Project Synopsis](#)**

### **Working Video**

---

### **Disclaimer:**

This is a handmade complete working Models, Projects & Activity kits supported by rough study material to make a suitable projects report by the student. It is using Cardboard/Wooden base, Paper, Foam based board, stationary items, Electronic-Electrical Components, Mechanical & Scientific goods as per the requirement of a particular model. Colour of product and decoration item may be varying according to availability of material but we make ensure that we will deliver the product with same working, structure and dimensions as describe in product description section.

---



## LED & LDR Transistor

### Available offer

- **Free Shipping** above Rs999.
- Pay with UPI QR [Coupons](#)
- **Special Bulk D** Companies and
- Get Special Dis 9109087333.

### Highlights

#### Branding Free Pr

- No Brand Name/ Projects
- 100% Working p
- Tested Project &

#### Documentation

- Free Project Syn
- Printed Short Re
- Printable Soft co

#### Support

- Demo Video – **En**
- Technical Suppo
- [Get Discount Co](#)

#### Delivery Time

- **Handling Perio**

- **Transit Time** :3-5 Days (Approx.)
- **Delivery Time** : Handling Period + Transit Time (4-7 Days Approx.)

[Read More](#)

**SKU:** PH\_EP\_126

**Price:** ~~₹260.00~~ Original price was: ₹260.00. ₹153.00  
Current price is: ₹153.00.

**Stock:** instock

**Categories:** [Engineering project](#), [IC & Transistor](#), [Mini Project](#), [Projects](#)

## Product Description

---

[Download Free Project Synopsis](#)

---

[Working Video:](#)

---

### Disclaimer:

This is a handmade complete working Models, Projects & Activity kits supported by rough study material to make a suitable projects report by the student. It is using Cardboard/Wooden base, Paper, Foam based board, stationary items, Electronic-Electrical Components, Mechanical & Scientific goods as per the requirement of a particular model. Colour of product and decoration item may be varying according to availability of material but we make ensure that we will deliver the product with same working, structure and dimensions as describe in product description section.

---



## LEDs in Par

### Kit Includes:

- **Project Kit**
- **9V Battery**
- **Print Short R**

### Available offers:

- **Free Shipping**  
orders above ₹
- **Pay with UPI**  
Discount./[Coupo](#)
- **Special Bulk**  
Companies an
- **Get Special D**  
WhatsApp@91

### Highlights Brand

- No Brand Nam
- PCB & Projects
- 100% Working
- Tested Project

### Documentation

- Printed Short F
- Printable Soft

### Support

- Demo Video –
- Technical Supp
- [Get Discount C](#)

[Read More](#)

**SKU:** PH\_SPE\_15

**Price:**

**Stock:** instock

**Categories:** [Electricity & Magnetism](#), [Electronics](#), [Physics](#), [Projects](#), [School Project & Experiment](#)

## Product Description

---



## LEDs in Ser

### Kit Includes:

- **Project Kit**
- **9V Battery**
- **Print Short R**

### Available offers:

- **Free Shipping**  
orders above ₹
- **Pay with UPI**  
Discount./[Cou](#)
- **Special Bulk**  
Companies an
- **Get Special D**  
WhatsApp@91

### Highlights Brand

- No Brand Nam  
PCB & Projects
- 100% Working
- Tested Project

### Documentation

- Printed Short F
- Printable Soft

### Support

- Demo Video –
- Technical Supp



- [Get Discount Coupon](#)

[Read More](#)

**SKU:** PH\_SPE\_16

**Price:**

**Stock:** instock

**Categories:** [Electricity & Magnetism](#), [Electronics](#), [Physics](#), [Projects](#), [School Project & Experiment](#)

## Product Description

---



## LEDs in Ser

### Kit Includes:

- **Project Kit**
- **9V Battery**
- **Print Short R**

### Available offers:

- **Free Shipping**  
orders above ₹
- **Pay with UPI**  
Discount./[Cou](#)
- **Special Bulk**  
Companies an
- **Get Special D**  
WhatsApp@91

### Highlights Brand

- No Brand Nam
- PCB & Projects
- 100% Working
- Tested Project

### Documentation

- Printed Short Report
- Printable Soft copy of Project Report

### Support

- Demo Video – **Embedded below**
- Technical Support – WhatsApp@9109087333
- [Get Discount Coupon](#)

[Read More](#)

**SKU:** PH\_SPE\_17

**Price:**

**Stock:** instock

**Categories:** [Electricity & Magnetism](#), [Electronics](#), [Physics](#), [Projects](#), [School Project & Experiment](#)

## Product Description

---



## Line Follow Arduino

### Available offer

- **Free Shipping** on orders above ₹1000
- Pay with UPI QR Code and get 5% Discount./ [Coupon](#)
- **Special Bulk** Discounts for Companies and Institutions
- Get Special Discount on WhatsApp@9109087333

### Highlights

**Branding Free Product**

- No Brand Name/Logo/Watermark on Components, PCB & Projects
- 100% Working project
- Tested Project & Activity kits

### Documentation

- Free Project Synopsis – **Embedded below**
- Printed Short Report
- Printable Soft copy of Project Report

### Support

- Demo Video – **Embedded below**
- Technical Support – WhatsApp@9109087333
- [Get Discount Coupon](#)

### Delivery Time

- **Handling Period** : 1-2 Days
- **Transit Time** :3-5 Days (Approx.)
- **Delivery Time** : Handling Period + Transit Time (4-7 Days Approx.)

Click Here to Buy Do It Yourself Kit

[Read More](#)

**SKU:** PH\_EP\_104

**Price:**

**Stock:** instock

**Categories:** [Arduino](#), [Engineering project](#), [Mechanical Projects](#), [Robotics](#)

## Product Description

## Download Free Project Synopsis

---

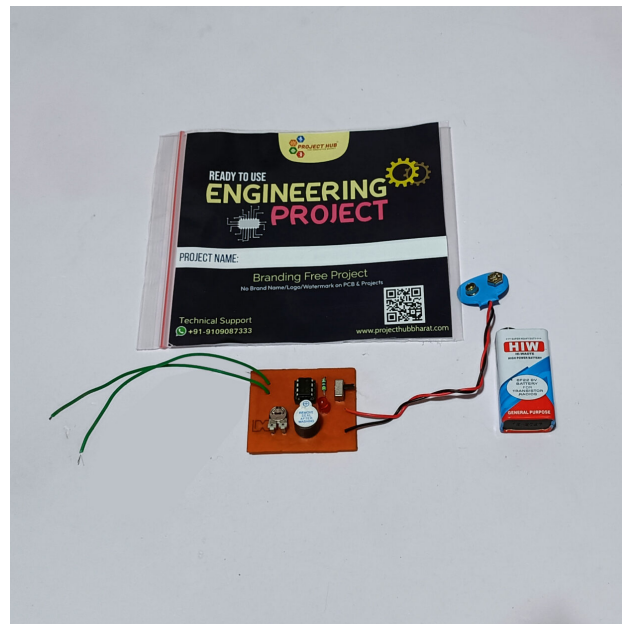
## Working Video

---

### Disclaimer:

This is a handmade complete working Models, Projects & Activity kits supported by rough study material to make a suitable projects report by the student. It is using Cardboard/Wooden base, Paper, Foam based board, stationary items, Electronic-Electrical Components, Mechanical & Scientific goods as per the requirement of a particular model. Colour of product and decoration item may be varying according to availability of material but we make ensure that we will deliver the product with same working, structure and dimensions as describe in product description section.

---



## Loop Security

### Available offer

- **Free Shipping** above Rs999.
- Pay with UPI QR [Coupons](#)
- **Special Bulk Discount** Companies and Institutions
- Get Special Discount

## Highlights

### Branding Free Project

- No Brand Name/Logo on Projects
- 100% Working project
- Tested Project & Components

### Documentation

- Free Project Synthesis
- Printed Short Report

- Printable Soft copy of Project Report (10-15 Page)

### Support

- Demo Video – **Embedded below**
- Technical Support – WhatsApp@9109087333
- [Get Discount Coupon](#)

[Read More](#)

**SKU:** PH\_EP\_044

**Price:** ~~₹356.00~~ Original price was: ₹356.00. ₹210.00  
Current price is: ₹210.00.

**Stock:** instock

**Categories:** [Engineering project](#), [IC & Transistor](#), [Mini Project](#), [Projects](#)

## Product Description

**Download Free Project Synopsis**

**Working Video**

---

### Disclaimer:

This is a handmade complete working Models, Projects & Activity kits supported by rough study material to make a suitable projects report by the student. It is using Cardboard/Wooden base, Paper, Foam based board, stationary items, Electronic-Electrical Components, Mechanical & Scientific goods as per the requirement of a particular model. Colour of product and decoration item may be varying according to availability of material but we make ensure that we will deliver the product with same working, structure and dimensions as describe in product description section.

---



## LPG Gas Le

### Available offer

- **Free Shipping** above Rs999.
- Pay with UPI QR [Coupons](#)
- **Special Bulk D** Companies and
- Get Special Disc

### Highlights

#### Branding Free Pr

- No Brand Name/ Projects
- 100% Working p
- Tested Project &

#### Documentation

- Free Project Syn
- Printed Short Re
- Printable Soft co

#### Support

- Demo Video – **En**
- Technical Suppo
- [Get Discount Co](#)

[Read More](#)

**SKU:** PH\_EP\_083

**Price:**

**Stock:** instock

**Categories:** [Engineering project](#), [IC & Transistor](#), [Mini Project](#), [Projects](#)

## Product Description

**Download Free Project Synopsis**

**Working Video**

---

### Disclaimer:

This is a handmade complete working Models, Projects & Activity kits supported by rough study material to make a suitable projects report by the student. It is using Cardboard/Wooden base, Paper, Foam based board, stationary items, Electronic-Electrical Components, Mechanical & Scientific goods as per the requirement of a particular model. Colour of product and decoration item may be varying according to availability of material but we make ensure that we will deliver the product with same working, structure and dimensions as describe in product description section.

---

## LPG Gas Leak Detector Exhaust

### Available offer

- **Free Shipping** above Rs999.
- Pay with UPI QR [Coupons](#)
- **Special Bulk Discount** Companies and Institutions
- Get Special Discount

### Highlights



## Branding Free Project / Activity kit

- No Brand Name/Logo/Watermark on Components, PCB & Projects
- 100% Working project
- Tested Project & Activity kits

## Documentation

- Free Project Synopsis – **Embedded below**
- Printed Short Report
- Printable Soft copy of Project Report (10-15 Page)

## Support

- Demo Video – **Embedded below**
- Technical Support – WhatsApp@9109087333
- [Get Discount Coupon](#)

[Read More](#)

**SKU:** PH\_EP\_084

**Price:**

**Stock:** instock

**Categories:** [Engineering project](#), [IC & Transistor](#), [Projects](#)

## Product Description

**Download Free Project Synopsis**

**Working Video**

---

### Disclaimer:

This is a handmade complete working Models, Projects & Activity kits supported by rough study material to make a suitable projects report by the student. It is using Cardboard/Wooden base,



Paper, Foam based board, stationary items, Electronic-Electrical Components, Mechanical & Scientific goods as per the requirement of a particular model. Colour of product and decoration item may be varying according to availability of material but we make ensure that we will deliver the product with same working, structure and dimensions as describe in product description section.

---



## Mobile Control using Bluetooth

### Available offer

- **Free Shipping** orders above ₹1000
- Pay with UPI QR Code. [Discount./ Coupon](#)
- **Special Bulk** prices for Companies and Institutions
- Get Special Discount on [WhatsApp@91123456789](#)

### Highlights

#### Branding Free Product

- No Brand Name on PCB & Projects
- 100% Working
- Tested Project

#### Documentation

- Free Project System
- Printed Short Form
- Printable Software

#### Support

- Demo Video – **Embedded below**
- Technical Support – WhatsApp@9109087333
- [Get Discount Coupon](#)

[Read More](#)

**SKU:** PH\_EP\_071

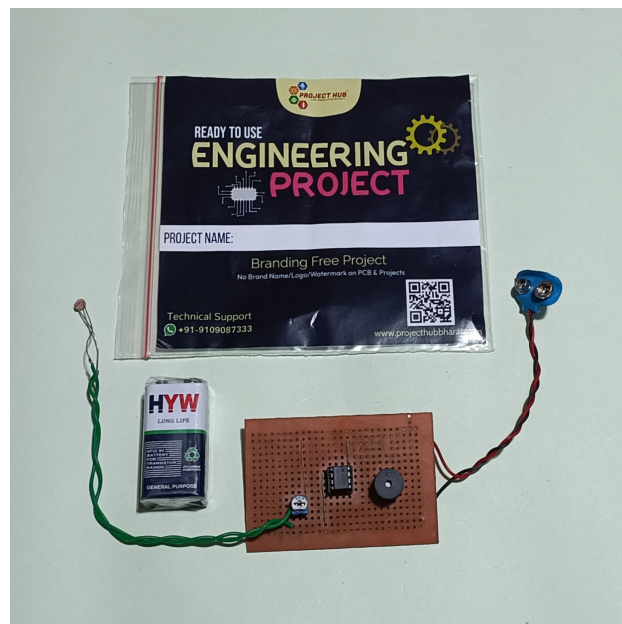
**Price:**

**Stock:** instock

**Categories:** [Arduino](#), [Engineering project](#), [Projects](#)

## Product Description

---



## Morning Alarm Project Kit Dotted/multi

### Package Includes

### Branding Free

- No Brand Name on PCB & Projects
- 100% Working
- Tested Project

### Documentation

- Free Project Syllabus
- Printed instructions
- Printable Soft copy
- PPT

### Support

- Demo Video – **Embedded below**
- Technical Support – WhatsApp@9109087333
- Get Discount Coupon – WhatsApp@9303254433

[Read More](#)

**SKU:** PH\_EP\_088

**Price:** ~~₹372.00~~ Original price was: ₹372.00. ₹219.00  
Current price is: ₹219.00.

**Stock:** instock

**Categories:** [Engineering project](#), [IC & Transistor](#), [Mini Project](#), [Projects](#)

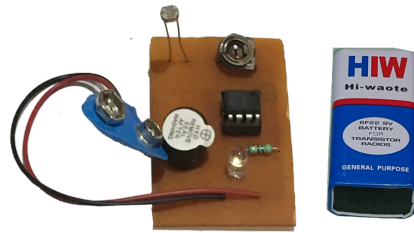
## Product Description

## Download Free Project Synopsis

### Working Video

This is a handmade complete working Models, Projects & Activity kits supported by rough study material to make a suitable projects report by the student. It is using Cardboard/Wooden base, Paper, Foam based board, stationary items, Electronic-Electrical Components, Mechanical & Scientific goods as per the requirement of a particular model. Colour of product and decoration item may be varying according to availability of material but we make ensure that we will deliver the product with same working, structure and dimensions as describe in product description section.

---



## Morning Alarm PCB

### Available offer

- **Free Shipping** above Rs999.
- COD available in above 999.
- Pay with UPI QR [Coupons](#)
- **Special Bulk D** Companies and
- Get Special Disc

### Highlights

#### Branding Free Pr

- No Brand Name/ Projects
- 100% Working p
- Tested Project &

#### Documentation

- Free Project Syn
- Printed Short Re
- Printable Soft co

#### Support

- Demo Video – **En**
- Technical Suppo
- [Get Discount Co](#)

Click Here to Buy D

[Read More](#)

**SKU:** PH\_EP\_021

**Price:** ~~₹392.00~~ Original price was: ₹392.00. ₹231.00  
Current price is: ₹231.00.

**Stock:** instock

**Categories:** [Engineering project](#), [IC & Transistor](#), [Mini Project](#), [Projects](#)

## Product Description

### ABSTRACT:

Waking up in the morning is quite a task for many people. The aim of this project is to build an alarm clock which will help people go get up a little bit easier. Additionally if one forgets to set alarm at night, this alarm will turn on automatically in the morning and only turn off manually so you will have to wake up.

### INTRODUCTION:

The Morning Alarm project aims to create a simple and effective alarm system using components such as an LDR (Light Dependent Resistor), IC 555 Timer, 9V Battery, Buzzer, LED, and a 100K preset resistor. This project serves as an alarm clock that can be used to wake up individuals at a desired time. By utilizing light sensing capabilities, the alarm can be triggered based on the ambient light conditions, simulating a natural sunrise effect.

[Download Free Project Synopsis](#)

### Working Video

---

### Disclaimer:

This is a handmade complete working Models, Projects & Activity kits supported by rough study material to make a suitable projects report by the student. It is using Cardboard/Wooden base, Paper, Foam based board, stationary items, Electronic-Electrical Components, Mechanical & Scientific goods as per the requirement of a particular model. Colour of product and decoration item may be varying according to availability of material but we make ensure that we will deliver the product with same working, structure and dimensions as describe in product description section.

---



## Morning Ala

### Available offer

- **Free Shipping** above Rs999.
- Pay with UPI QR [Coupons](#)
- **Special Bulk D** Companies and
- Get Special Dis 9109087333.

### Highlights

#### Branding Free Pr

- No Brand Name/ Projects
- 100% Working p
- Tested Project &

#### Documentation

- Free Project Syn
- Printed Short Re
- Printable Soft co

#### Support

- Demo Video – **En**
- Technical Suppo
- [Get Discount Co](#)

#### Delivery Time

- **Handling Perio**
- **Transit Time :3**

- **Delivery Time** : Handling Period + Transit Time (4-7 Days Approx.)

[Read More](#)

**SKU:** PH\_EP\_129

**Price:** ~~₹236.00~~ Original price was: ₹236.00. ₹139.00  
Current price is: ₹139.00.

**Stock:** instock

**Categories:** [Engineering project](#), [IC & Transistor](#), [Mini Project](#), [Projects](#)

## Product Description

---

[Download Free Project Synopsis](#)

---

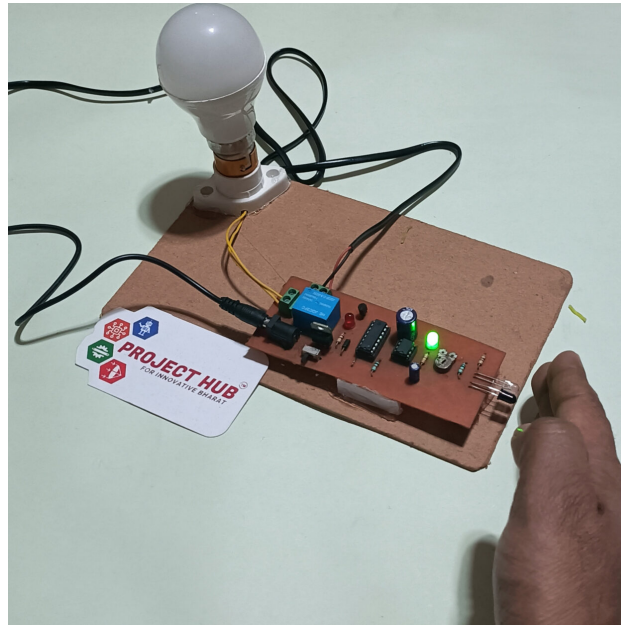
[Working Video:](#)

---

### Disclaimer:

This is a handmade complete working Models, Projects & Activity kits supported by rough study material to make a suitable projects report by the student. It is using Cardboard/Wooden base, Paper, Foam based board, stationary items, Electronic-Electrical Components, Mechanical & Scientific goods as per the requirement of a particular model. Colour of product and decoration item may be varying according to availability of material but we make ensure that we will deliver the product with same working, structure and dimensions as describe in product description section.

---



## Motion Sensor

### Available offer

- **Free Shipping** above Rs999.
- Pay with UPI QR [Coupons](#)
- **Special Bulk Discount** for Companies and Institutions
- Get Special Discount on Bulk Orders

### Highlights

#### Branding Free Project

- No Brand Name/Logo on Projects
- 100% Working project
- Tested Project & Components

#### Documentation

- Free Project Synthesis
- Printed Short Report
- Printable Soft copy

#### Support

- Demo Video – [English](#)
- Technical Support
- [Get Discount Coupon](#)

Click Here to Buy Digital Bundle Click Here to Buy Digital Bundle

- Printable Soft copy
- Printable Soft copy



[Read More](#)

**SKU:** PH\_EP\_035

**Price:** ₹1,228.00 Original price was: ₹1,228.00. ₹725.00 Current price is: ₹725.00.

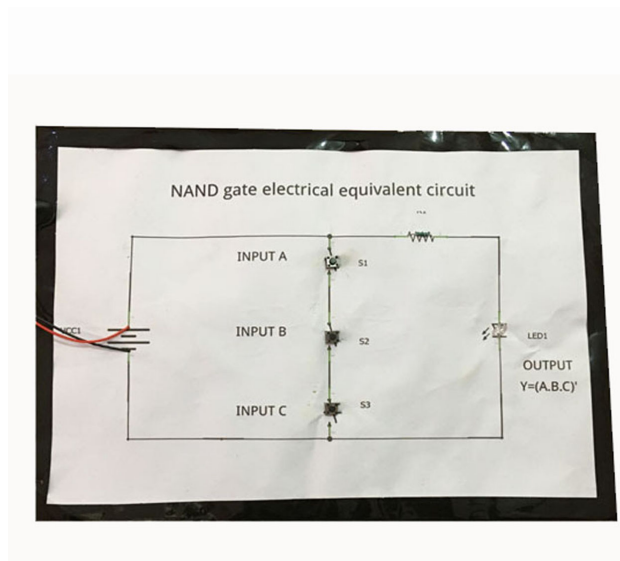
**Stock:** instock

**Categories:** [Engineering project](#), [IC & Transistor](#), [Projects](#)

## Product Description

### Disclaimer:

This is a handmade complete working Models, Projects & Activity kits supported by rough study material to make a suitable projects report by the student. It is using Cardboard/Wooden base, Paper, Foam based board, stationary items, Electronic-Electrical Components, Mechanical & Scientific goods as per the requirement of a particular model. Colour of product and decoration item may be varying according to availability of material but we make ensure that we will deliver the product with same working, structure and dimensions as describe in product description section.



**NAND logic equivalent circuit**

**Package Includes**

**Branding Free**

- No Brand Name
- PCB & Projects
- Tested Activity

**Documentation**

- Free Project Synopsis – **Embedded below**
- Printed instruction booklet

## Support

- Working Video – **Embedded Below**
- Technical Support – WhatsApp@9109087333
- Get Discount Coupon – WhatsApp@9303254433

[Read More](#)

**SKU:** PH\_SPE\_74

**Price:** ~~₹200.00~~ Original price was: ₹200.00. ₹180.00  
Current price is: ₹180.00.

**Stock:** instock

**Categories:** [Electronics](#), [Logic Gate](#), [Physics](#), [Projects](#), [School Project & Experiment](#)

**Tags:** [class 12th science project and experiment](#), [logic gate](#), [new science project](#)

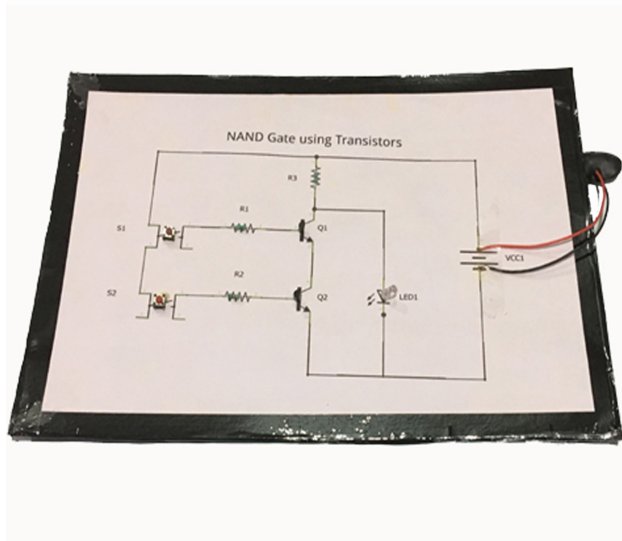
## Product Description

## Download Free Project Synopsis

### Disclaimer

This is a handmade complete working Models, Projects & Activity kits supported by rough study material to make a suitable projects report by the student. It is using Cardboard/Wooden base, Paper, Foam based board, stationary items, Electronic-Electrical Components, Mechanical & Scientific goods as per the requirement of a particular model. Colour of product and decoration item may be varying according to availability of material but we make ensure that we will deliver the product with same working, structure and dimensions as describe in product description section.

---



## NAND logic gate using transistors

### Package Includes:

### Branding Free Activity kit

- No Brand Name/Logo/Watermark on Components, PCB & Projects
- Tested Activity kits

### Documentation

- Free Project Synopsis – **Embedded below**
- Printed instruction booklet

### Support

- Working Video – **Embedded Below**
- Technical Support – WhatsApp@9109087333
- Get Discount Coupon – WhatsApp@9303254433

[Read More](#)

**SKU:** PH\_SPE\_76

**Price:** ₹200.00 Original price was: ₹200.00. ₹180.00  
Current price is: ₹180.00.

**Stock:** instock

**Categories:** [Electronics](#), [Logic Gate](#), [Physics](#), [Projects](#), [School Project & Experiment](#)

**Tags:** [class 12th science project and experiment](#), [logic gate](#), [new science project](#)

## Product Description

## Download Free Project Synopsis

## Disclaimer

This is a handmade complete working Models, Projects & Activity kits supported by rough study material to make a suitable projects report by the student. It is using Cardboard/Wooden base, Paper, Foam based board, stationary items, Electronic-Electrical Components, Mechanical & Scientific goods as per the requirement of a particular model. Colour of product and decoration item may be varying according to availability of material but we make ensure that we will deliver the product with same working, structure and dimensions as describe in product description section.

---



## Nitrogen Cy

### Kit Includes:

- **Project Kit**
- **9V Battery**
- **Print Short R**

### Available offers:

- **Free Shipping**  
orders above ₹
- **Pay with UPI**  
Discount./[Coup](#)
- **Special Bulk**  
Companies an
- **Get Special D**  
WhatsApp@91

### Highlights Brand

- No Brand Nam  
PCB & Projects
- 100% Working
- Tested Project

### Documentation

- Printed Short F

- Printable Soft copy of Project Report

### Support

- Demo Video – **Embedded below**
- Technical Support – WhatsApp@9109087333
- [Get Discount Coupon](#)

[Read More](#)

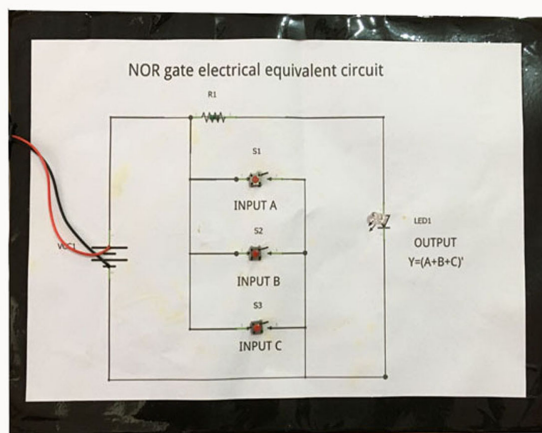
**SKU:** PH\_SPE\_23

**Price:**

**Stock:** instock

**Categories:** [Biology](#), [General science](#), [Projects](#), [School Project & Experiment](#)

## Product Description



## NOR logic g equivalent c

### Package Includ

### Branding Free

- No Brand Name
- PCB & Projects
- Tested Activity

### Documentation

- Free Project Sy
- Printed instruc

### Support

- Working Video
- Technical Supp

- Get Discount Coupon - WhatsApp@9303254433

[Read More](#)

**SKU:** PH\_SPE\_79

**Price:** ~~₹200.00~~ Original price was: ₹200.00. ₹180.00  
Current price is: ₹180.00.

**Stock:** instock

**Categories:** [Electronics](#), [Logic Gate](#), [Physics](#), [Projects](#), [School Project & Experiment](#)

**Tags:** [class 12th science project and experiment](#), [logic gate](#), [new science project](#)

## Product Description

## Download Free Project Synopsis

### Disclaimer

This is a handmade complete working Models, Projects & Activity kits supported by rough study material to make a suitable projects report by the student. It is using Cardboard/Wooden base, Paper, Foam based board, stationary items, Electronic-Electrical Components, Mechanical & Scientific goods as per the requirement of a particular model. Colour of product and decoration item may be varying according to availability of material but we make ensure that we will deliver the product with same working, structure and dimensions as describe in product description section.

---